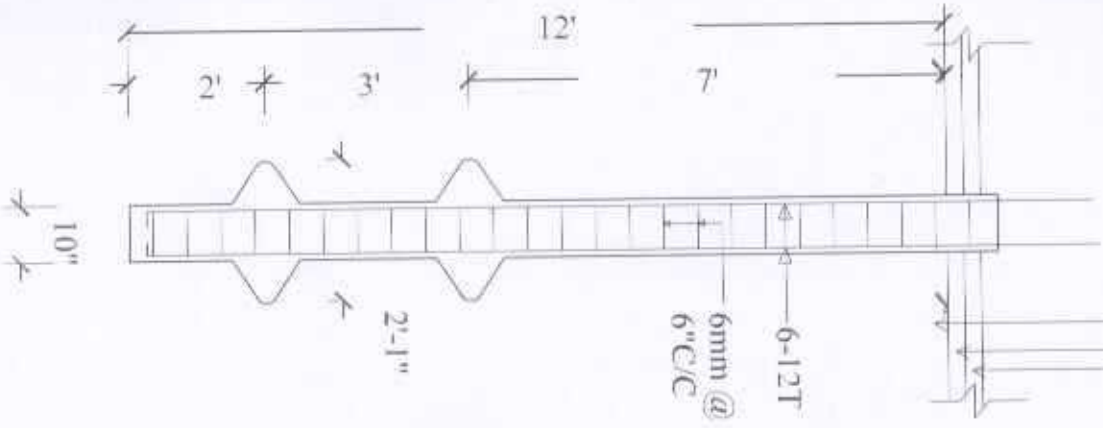


DAV PUBLIC SCHOOL SEMRA BIKRAMGANJ

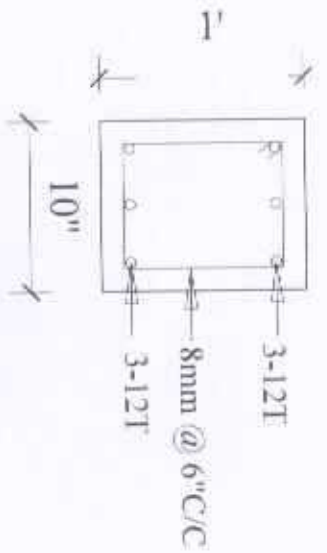
Yagshala

Description	Area (SFT)
Yagshala	477.27

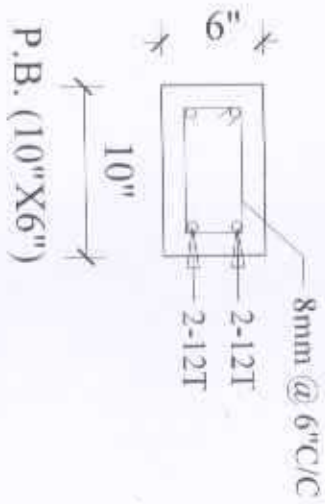
3" BRICK SOLING
3" SAND FILLING
COMPACT EARTH



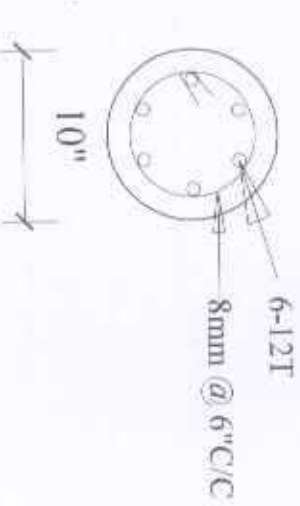
PILE DETAILS
(10" DIA.)



G.B. (10" X 12")



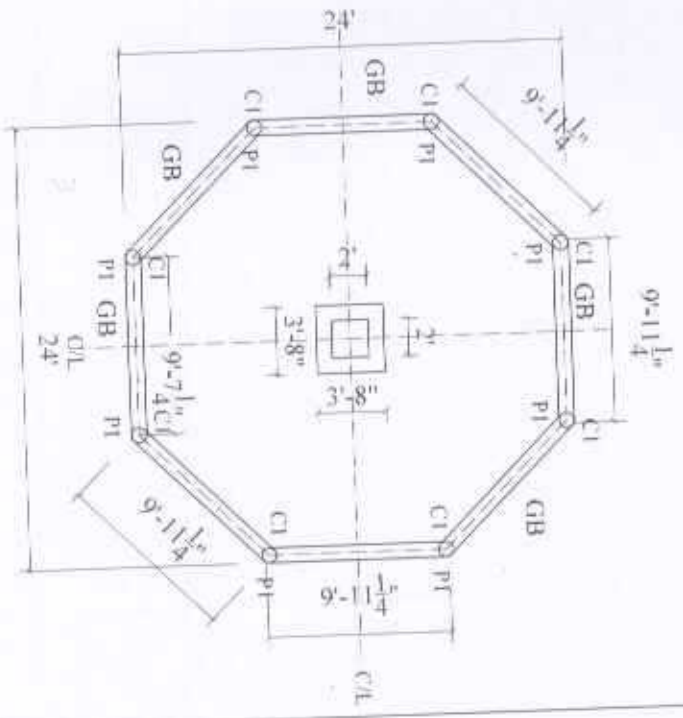
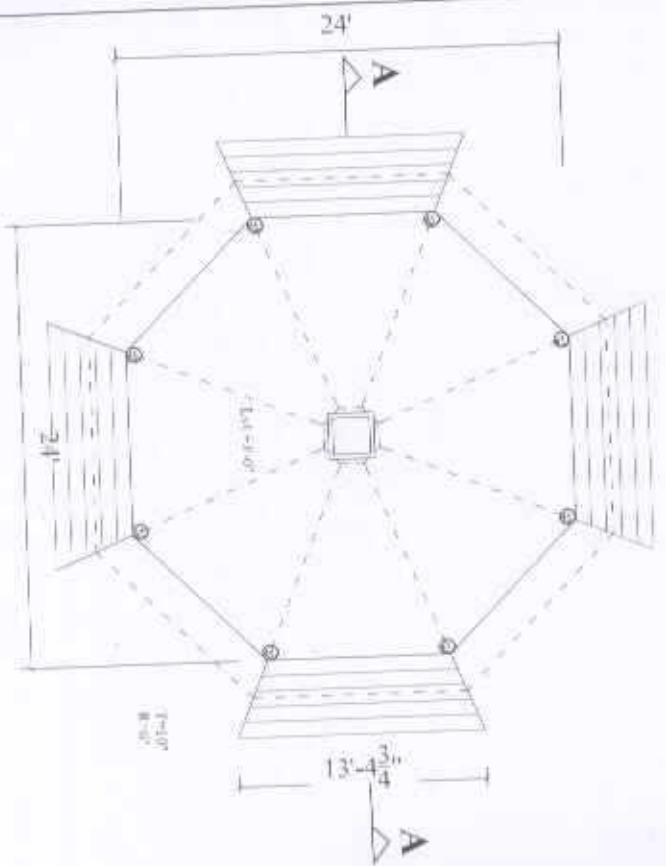
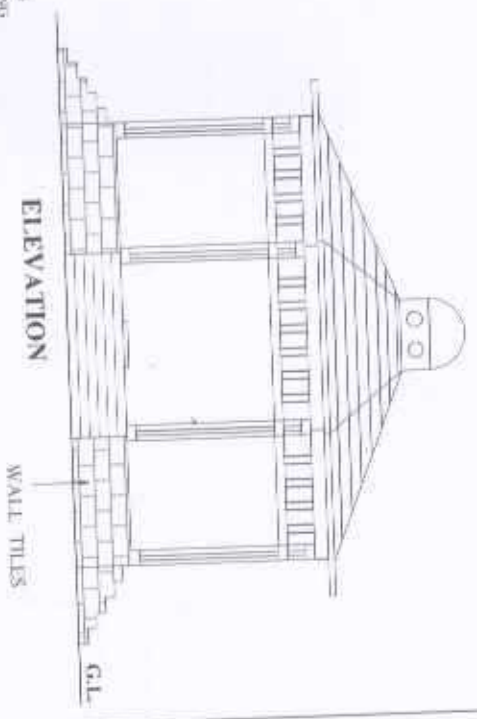
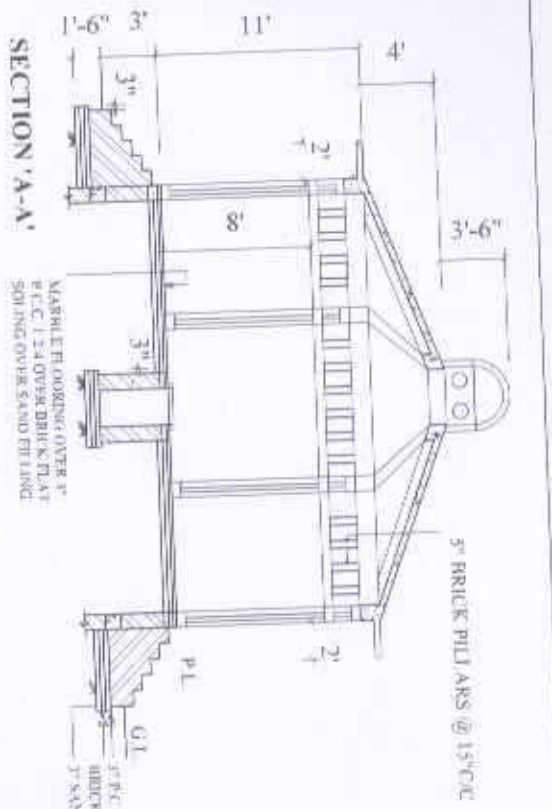
P.B. (10" X 6")



C1 (10" DIA.)

COLUMN DETAIL

S NO	DATE	REVISIONS	DATE
DRG NO-02			JUNE-22
TITLE PILE DETAILS			
PROJECT PROPOSED YAZSHANA AT D.A.V. PUBLIC SCHOOL, SEMRA, BIKRAMGANJ, ROHTAS, BIHAR.			
archgroup architects, engineers, interior designers, 307/A/GANDEGA-A VASTI VIKAR, PH-6, A/11MS-1 NH-130, NAGDIATP/BR, DAD, BILUSATE/A, DANAPUR/ROHTAS, Ph-861/505, Mob. 9973550000/9280001170			



GROUND FLOOR PLAN

(INCLUDED FLOOR AREA - 477.57 SQ FT)

LAYOUT PLAN

DRG NO - 01
DATE: 11/11/22

archgroup

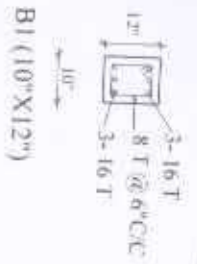
architects, engineers,
interior designers.

407/ ANAND-A-VASTI, URBAN
1954, MIDAS-I, NH-69, NAIBATIB, B.
ROAD, BHUBANESHWAR, ODISHA, INDIA.
PH: +91 674 2501111, 2501112, 2501113

PROJECT
PROPOSED VAZSHALA AT D.A.V. PUBLIC SCHOOL,
SEMRA, BIKRAMGANJ, ROHTAS, BIHAR.

TITLE
GROUND FLOOR PLAN, ELEVATION,
SECTION, VOULT PLAN

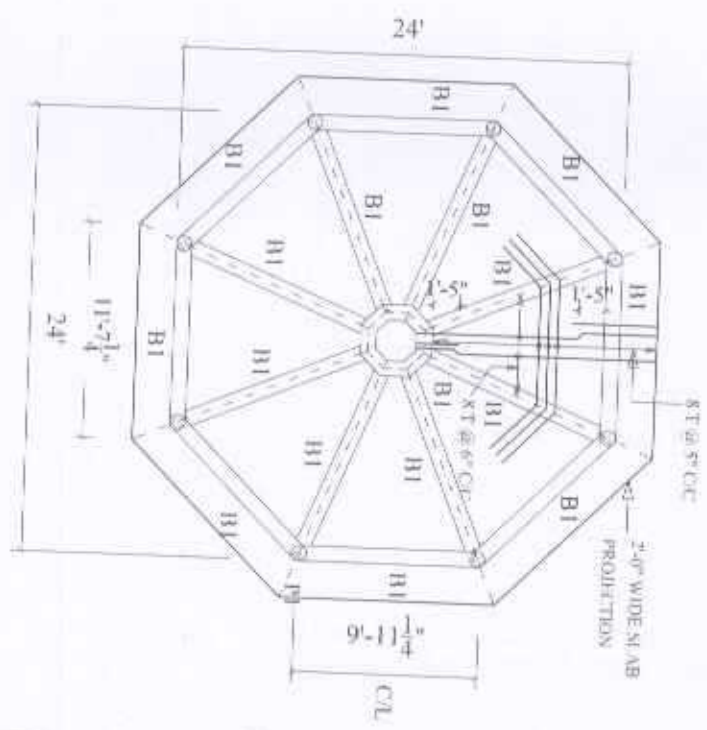
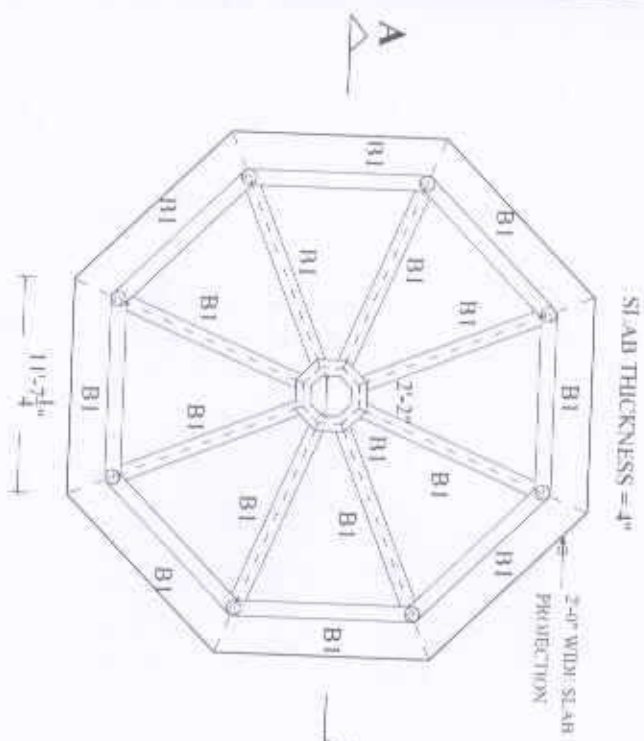
BOTTOM - 3-16 T



- 2 USE M20 CONCRETE
- 3 USE M41 500 ND
- 4 REMOVE SHUTTERING AFTER 21 DAYS
- 5 WATER CURING (PTO 18 DAYS)
- 6 USE GUNNY BAGS & STRAW FOR CURING



DOME DETAILS



G. FLOOR ROOF SLAB DETAILS

G.F. SHUTTERING PLAN

PROJECT
PROPOSED YAZSHALA AT D.A.V. PUBLIC SCHOOL,
SEMRA, BIKRAMGANJ, ROHTAS, BIHAR.

PRG. NO-03	DATE JUNE-22
TITLE GROUND FLOOR SLAB & BEAM DETAILS	

archgroup
 architects, engineers,
 interior designers.
 507/ANGANG 6/A VASITI VIKAR,
 PH-6, AIRNS-1201-719/A, ALBASTER,
 ROAD, BHE'S VTL, DANAPUR, PATNA
 TIVE: 801 565, MOB: 9977155001/9901000011/99